



Download Clamp shown with Adapter B

## Download Clamp for ADSS (with or without Unequal Diameters)

AFL Download Clamps are used to guide ADSS wire from the top of the structure to the splice box. Our clamps install easily and provide proper spacing and hold strength without damage to the cable. From poles to towers, we offer a full line of ADSS Download Clamps to meet the needs of any application.

### Features

- Slip strength: >100 lbs.
- Lattice adapters provided with break-away bolts for precise torque during installation
- Steel tower guide clamps available with adapters to eliminate the need for drilling
- Banding adapters available

### Ordering Information – Download Clamp and Adapter

BUSHING DESIGNATION	DIAMETER (INCHES)	COLOR CODE
B4	0.350 - 0.500	red
B5	0.501 - 0.600	green
B6	0.601 - 0.700	yellow
B7	0.701 - 0.800	blue
B8	0.801 - 0.900	white
B9	0.901 - 1.000	black
B10	1.001 - 1.100	orange

FD	OA	XX	YY	Z	M
Fiber Downlead	OPGW and ADSS	Bushing Designation (Smaller Dia.)	Bushing Designation (Larger Dia.)	Indicates Adapters A = Banding Adapter B = Lattice Adapter for web thickness 0.25" - 0.72" C = Lattice Adapter for web thickness 0.72" - 1.25" D = 3/8" diameter x 4" lag bolt E = Lattice Adapter for web thickness 0.25" - 1.25" Omit = No adapter desired	M for Metric Hardware

### Ordering Example

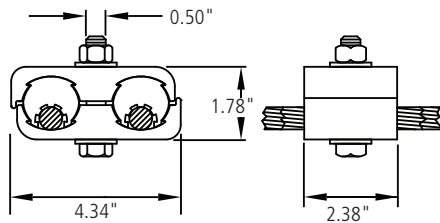
For 0.528" dia. OPGW and 0.484 ADSS with pole banding (Type A), the part number is FDOA-B4B5A.

- NOTES:** 1. If metric hardware is desired, add a "M" suffix to the end.  
2. See next page for optional download clamp adapters.

# Download Clamp and Optional Download Clamp Adapters

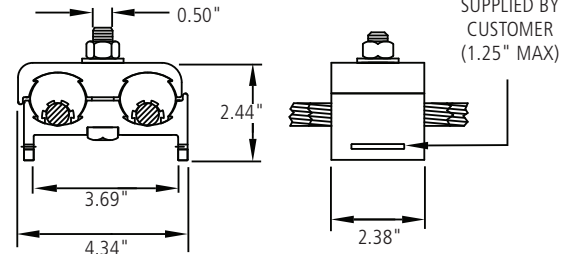
## Dimensions

FIG. 1

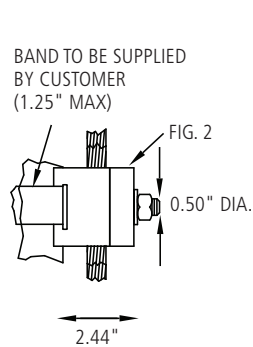


**FDOA XXYY**  
NO ADAPTER

FIG. 2

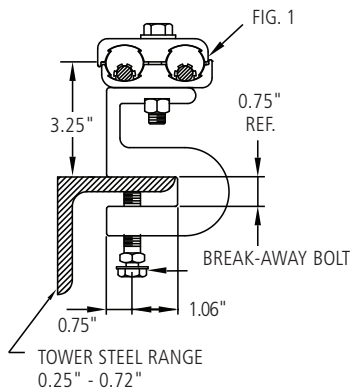


## Download Clamp Adapters



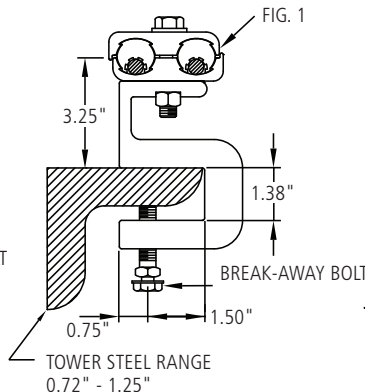
**FDOA XXYYA**

TYPE A ADAPTER WITH FIG. 2 BANDING CONFIGURATION  
EST. WEIGHT: 0.96 LBS.



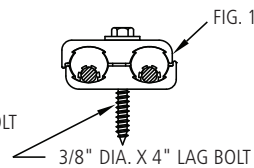
**FDOA XXYYB**

TYPE B ADAPTER WITH FIG. 1 LATTICE CONFIGURATION  
EST. WEIGHT: 1.98 LBS.



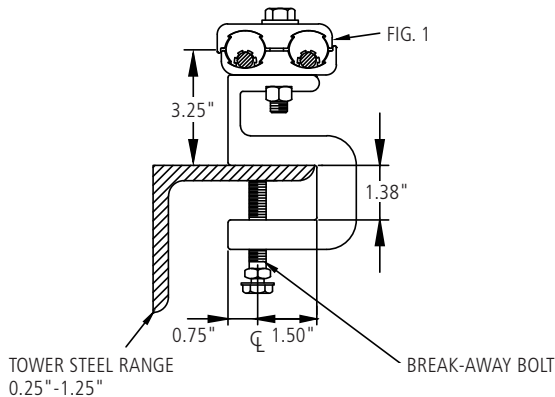
**FDOA XXYYC**

TYPE C ADAPTER WITH FIG. 1 LATTICE CONFIGURATION  
EST. WEIGHT: 2.20 LBS.



**FDOA XXYYD**

TYPE D ADAPTER WITH FIG. 1 LATTICE CONFIGURATION  
EST. WEIGHT: 0.96 LBS.



**FDOA XXYYE**

TYPE E ADAPTER WITH FIG. 1 LATTICE CONFIGURATION  
EST. WEIGHT: 2.20 LBS.