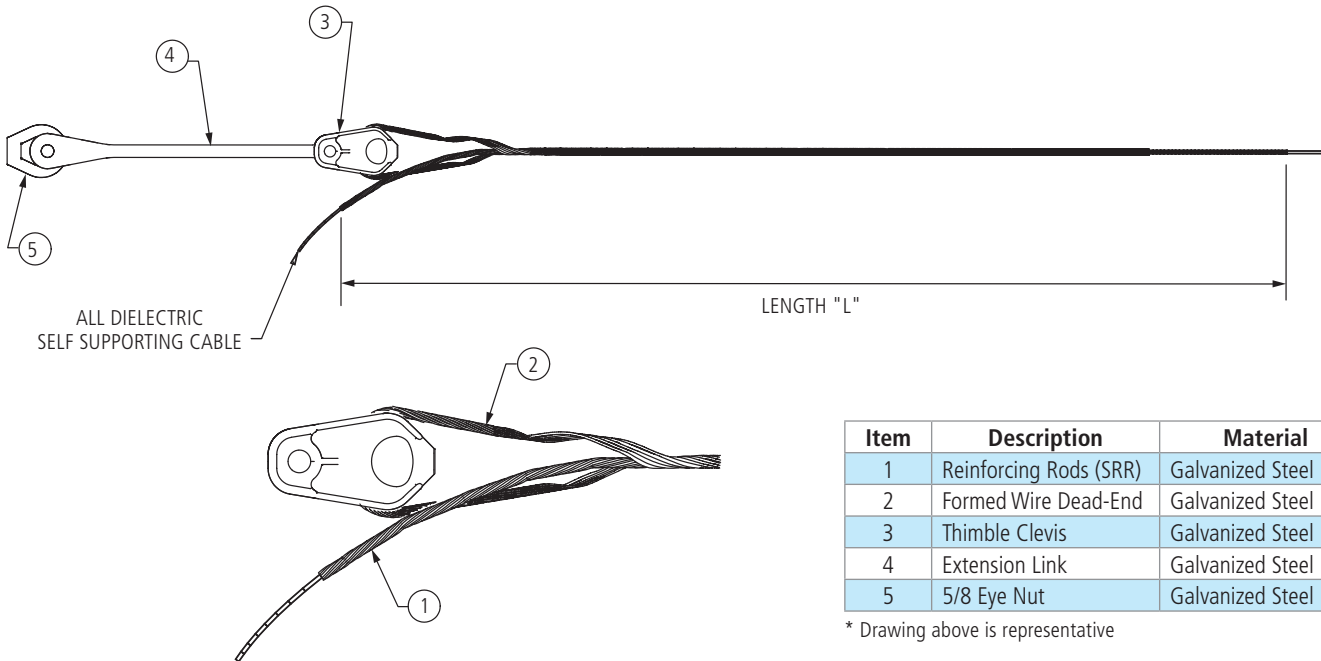


Limited Tension Formed Wire Dead End for ADSS Cable



Item	Description	Material
1	Reinforcing Rods (SRR)	Galvanized Steel
2	Formed Wire Dead-End	Galvanized Steel
3	Thimble Clevis	Galvanized Steel
4	Extension Link	Galvanized Steel
5	5/8 Eye Nut	Galvanized Steel

* Drawing above is representative

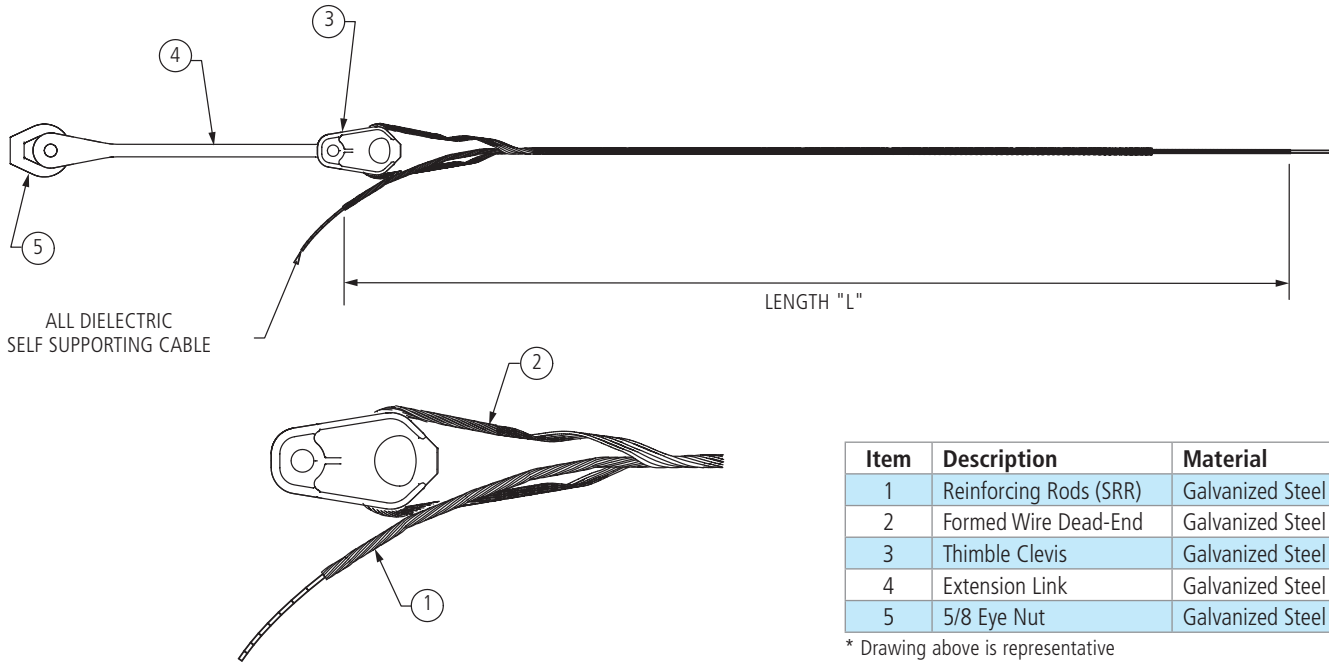
Features

- Components strength—6,500 lbs.
- Maximum initial tension—up to 1,000 lbs.
- Maximum loaded tension—up to 2,500 lbs.
- Dead end component may be reused once during initial installation
- Contact AFL for track-resistant ADSS application

Ordering Information

AFL NO.	CABLE OD (IN)	LENGTH "L" (IN)	COLOR CODE
ADESE380/400C	0.380 - 0.400	48	Red
ADESE400/424C	0.400 - 0.424	48	Black
ADESE425/451C	0.425 - 0.451	48	Yellow
ADESE452/481C	0.452 - 0.481	48	Green
ADESE482/510C	0.482 - 0.510	48	Orange
ADESE511/542C	0.511 - 0.542	48	Blue
ADESE543/577C	0.543 - 0.577	48	White
ADESE578/613C	0.578 - 0.613	48	Red
ADESE614/651C	0.614 - 0.651	48	Black
ADESE652/692C	0.652 - 0.692	48	Yellow
ADESE693/737C	0.693 - 0.737	48	Green
ADESE738/784C	0.738 - 0.784	48	Orange
ADESE785/834C	0.785 - 0.834	48	Blue
ADESE835/889C	0.835 - 0.889	48	White
ADESE890/945C	0.890 - 0.945	48	Red
ADESE946/1007C	0.946 - 1.007	48	Black
ADESE1008/1073C	1.008 - 1.073	60	Yellow
ADESE1074/1140C	1.074 - 1.140	60	Green
ADESE1141/1212C	1.141 - 1.212	60	Orange
ADESE1213/1288C	1.213 - 1.288	60	Blue

Medium Tension Dead End for ADSS Cable



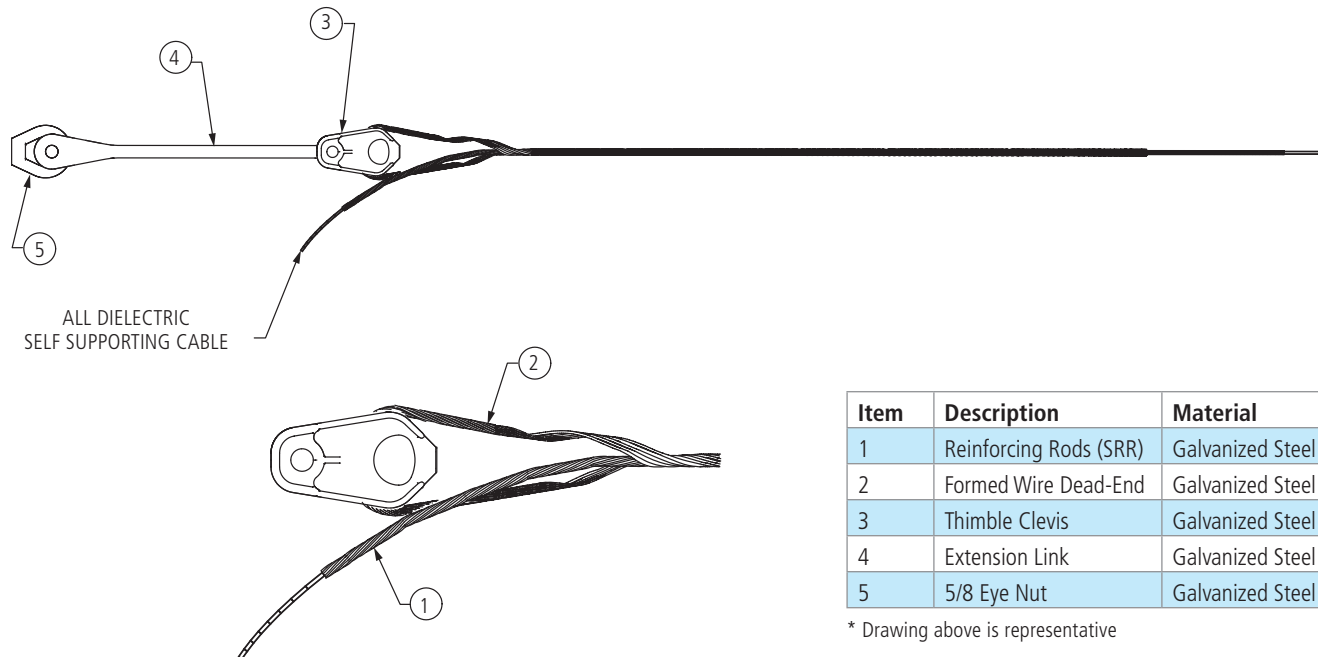
Features

- Component strength—6,500 lbs.
- Maximum initial tension—up to 2,000 lbs.
- Maximum loaded tension—up to 4,000 lbs.
- Dead end component may be reused once during initial installation
- Contact AFL for track-resistant ADSS application

Ordering Information

AFL NO.	CABLE OD (IN)	LENGTH "L" (IN)	COLOR CODE
ADEME482/510C	.482-.510	72	Orange
ADEME511/542C	.511-.542	73	Blue
ADEME543/577C	.543-.577	74	White
ADEME578/613C	.578-.613	78	Red
ADEME614/651C	.614-.651	80	Black
ADEME652/692C	.652-.692	80	Yellow
ADEME693/737C	.693-.737	82	Green
ADEME738/784C	.738-.784	88	Orange
ADEME785/834C	.785-.834	92	Blue
ADEME835/889C	.835-.889	94	White
ADEME890/945C	.890-.945	96	Red
ADEME946/1007C	.946-1.007	98	Black
ADEME1008/1073C	1.008-1.073	102	Purple
ADEME1074/1140C	1.074-1.140	102	Pink
ADEME1141/1212C	1.141-1.212	104	Brown
ADEME1213/1288C	1.213-1.288	107	Orange

Semi-High Tension Dead End for ADSS Cable



Item	Description	Material
1	Reinforcing Rods (SRR)	Galvanized Steel
2	Formed Wire Dead-End	Galvanized Steel
3	Thimble Clevis	Galvanized Steel
4	Extension Link	Galvanized Steel
5	5/8 Eye Nut	Galvanized Steel

* Drawing above is representative

Features

- Components strength—15,000 lbs.
- Maximum initial tension—up to 4,000 lbs.
- Maximum loaded tension—up to 7,500 lbs.
- Dead end component may be reused once during initial installation
- Contact AFL for Length Information and track-resistant ADSS application
- Lengths range from 100" to 134"

Ordering Information

AFL NO.	CABLE OD (in.)	LENGTH "L" (in.)	COLOR CODE
ADELE482/510C	.482-.510	98	Orange
ADELE511/542C	.511-.542	98	Blue
ADELE543/577C	.543-.577	100	White
ADELE578/613C	.578-.613	104	Red
ADELE614/651C	.614-.651	106	Black
ADELE652/692C	.652-.692	106	Yellow
ADELE693/737C	.693-.737	108	Green
ADELE738/784C	.738-.784	113	Orange
ADELE785/834C	.785-.834	118	Blue
ADELE835/889C	.835-.889	119	White
ADELE890/945C	.890-.945	121	Red
ADELE946/1007C	.946-1.007	123	Black
ADELE1008/1073C	1.008-1.073	126	Purple
ADELE1074/1140C	1.074-1.140	127	Pink
ADELE1141/1212C	1.141-1.212	129	Brown
ADELE1213/1288C	1.213-1.288	133	Orange