

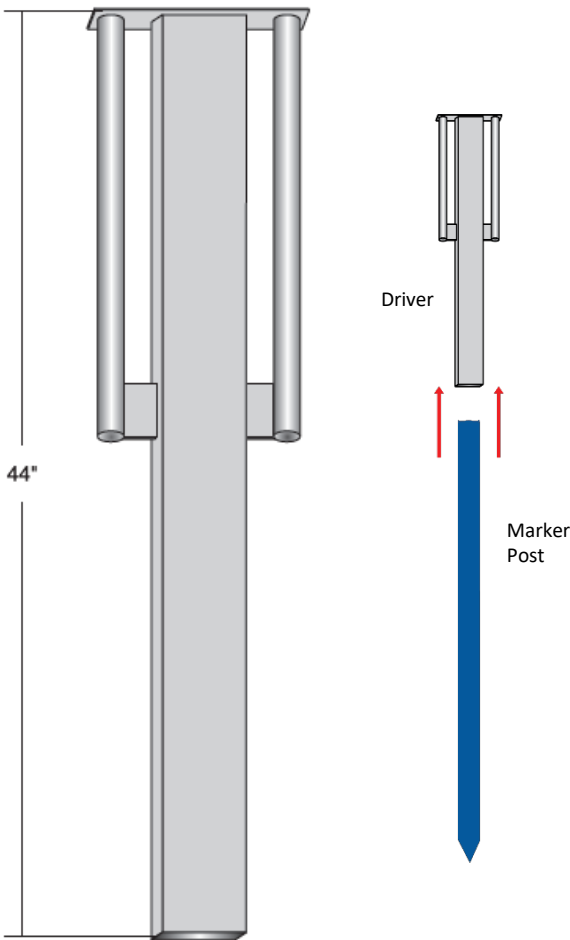


# MAMBA MARKER DRIVER

## FOR FLAT MARKER POST

### APPLICATION

Installation tool for driving flat fiberglass markers into the ground. Makes installation quick and easy.



**Marker Driver**

Weight 16.5 lbs.

Manufactured from steel and powder coated for maximum durability.



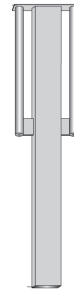
**Flat Marker Post**

The **Mamba Marker Driver** is used to install the **Mamba Flat Marker Post**.

**100% MADE IN THE USA**



### Mamba Flat Marker Driver - MAMBA-DRVR



### FEATURES AND BENEFITS

- Superior construction
- Manufactured steel for extra strength
- Quality powder coated finish for durability
- Highly resistant to wear and tear
- Long life

CONTACT US



1841 Industrial Ave  
San Angelo, TX 76904  
(325) 262-4031

[www.unitedtelsupply.com](http://www.unitedtelsupply.com)

**UNITED** and  
TEL • SUPPLY

